

Application Note

Number: 002

Date: 09/09/03

External video retrieval from the DGR 100 series DVR's

There are two methods available to retrieve video from a Digimerge 100 series Digital Video Recorder. These are as follows:

1. Capture to a PC for CD-ROM burning using a USB video capture device.
2. Capture on a VHS tape using a standard VCR.

Each method is described in further detail below. Please note that both of these methods are meant for incident retrieval only, not a complete back up of the DVR.

Method 1: Capture to a PC for CD archive using a USB video capture device.

Requirements:

- USB Video Capture Device – Some examples of this type of product are:
 - Digimerge USB Video (release date – November 2003)
 - Adaptec Video Oh! DVD
 - ADS Instant Video (shown here)
 - ADS Instant DVD 2.0
 - Belkin USB 2.0 DVD Creator
 - Dazzle Digital Video Creator 80/150
 - Pinnacle Studio Movie Box USB

(Note – a video card with capture capability such as the ATI All-in-Wonder could also be used for this application)

- A PC with an available USB port meeting the minimum requirements of the capture device being used. A CD-R or CD-RW drive is required if wishing to store the capture on a CD.

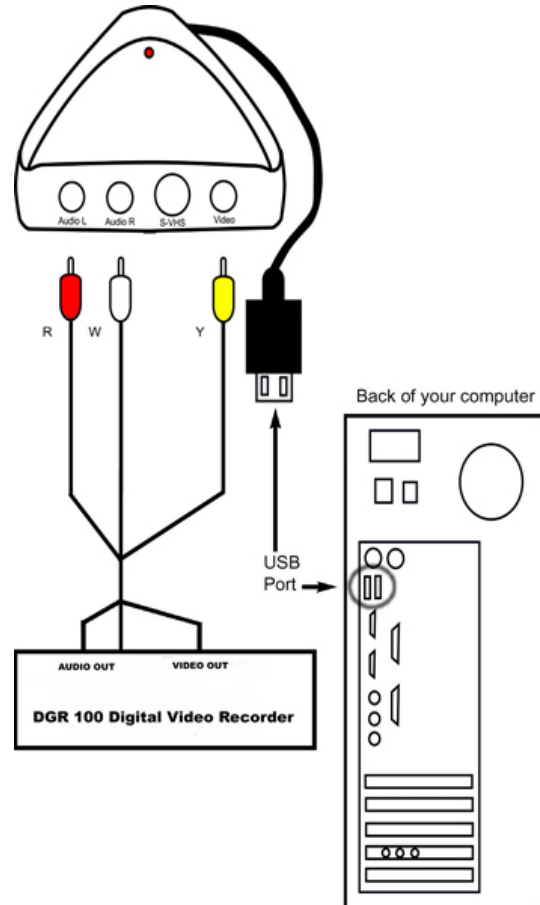
Procedure:

(Note – In this example procedure we show the use of the 'ADS Instant Video' USB capture device. The other products shown above would connect in a similar fashion. In all cases, please consult the capture products user manual for further instructions.)

Pre-Check: If not already performed, install all necessary software and drivers, which came with your particular capture device.

1. Disconnect the existing monitor connection from the Video Out connector at the rear of the DVR.
2. Connect the Video Output of the DVR to the Video In of the USB capture device.
3. If using Audio, connect the Audio Out of the DVR to the Audio In of the USB capture device.

4. Connect the USB connector of the capture device to an available USB port on the PC.
Note: It is advised to install the PC drivers that came with the capture unit before connecting to the PC. This will ensure that the correct driver is detected for the unit.



5. Open the capture application software used by your particular capture device.
6. Playback the video from the DVR and follow the instructions for your particular software to capture the video. Ensure that you note which folder the clip is being stored in on the PC so that it may be found when writing the file to a CD. Saving the clip as an AVI file is recommended to ensure compatibility on other Windows machines.
7. Once the desired video clip is stored on the PC's hard drive it may be written to a CD using a CD burning program.

Method 2: Capture on a VHS tape using a standard VCR

Procedure:

1. Disconnect the existing monitor connection from Video Out connector at the rear of the DVR.
2. Connect Video Out from the DVR to Video In on the VCR.
3. Connect Video Out on the VCR to the monitor for viewing
4. Begin playback of the required video on the DVR and press REC on the VCR to begin recording.