



D221600 Series

Professional Integrated Surveillance System
22" LCD Monitor with Integrated 16 Channel Digital Video Recorder & Multi-Function Display

Features:

- High Resolution 22" Wide LCD Monitor provides Superior Image Quality in Live View and Playback
- Built-in Pentaplex Digital Video Recorder, 16 Camera-Capable, with Advanced Real Time Recording (240FPS)
- Internet Remote Monitoring* (Software included), Web Browser access and E-mail alerts
- Large Capacity Security Certified Hard Drive pre-installed expandable up to 750GB****
- USB ports for back up and convenient transferring of critical data
- Mouse Driven Navigation (mouse included) and Graphical User Interface
- Installer Friendly - Easy Quick Start Guide and Toll Free Tech Support
- Multi function display - PC Monitor, Digital Picture Frame & Component Video with picture in picture function while DVR records in the background

EXCLUSIVE OCTAPLEX OPERATION





Monitor/Interface:

- 22" Wide screen LCD with user selectable aspect ratio (Wide 16:9, Standard 4:3)
- Professional Grade High Resolution (1680x1050) LCD panel
- VGA Input - use your LCD Display as a PC monitor
- USB picture frame feature - display digital pictures from a USB flash drive
- Entertainment Component Video input (YPbPr)
- Spot Video out - programmable sequencing of video to a secondary monitor for Public View Monitoring (PVM) or broadcasting promotional video in a different location
- Multiple control options; front panel buttons, remote control, mouse, remote software
- On Screen Display (English, Spanish, French)
- Screen saver for energy efficiency
- Wall mountable (VESA standard)
- Stand with cable management solution
- Environmentally friendly, recyclable packaging material

Digital Video Recorder:

- 16 Channels with Pentaplex operation - View, Record, Playback, Back Up & Remotely Control the system simultaneously
- MPEG4 Digital Video Compression - small file sizes without compromising video quality
- Recording Resolution: 704x480, 704x240, 352x240(NTSC), 704x576, 704x288, 352x288(PAL)
- Recording Frames Per Second (FPS): 240/200 (NTSC/PAL) @ CIF Resolution
- Custom recording for each camera
- Covert Camera - record without displaying camera image
- Continuous Recording with Motion Event logging for easy event searching
- Selectable 4 channel audio recording
- Programmable motion detection
- Pre-Event Recording of a preset amount of time before motion triggers the recording to see activities leading up to an event

- Hard Drive with SATA interface, 100% duty cycle for optimal performance in the commercial video security market. Expandable up to 750GB****
- S.M.A.R.T HDD Support (Self-Monitoring Analysis and Reporting Technology): Auto Detection / Recovery to ensure the HDD is functioning properly at all times
- Supports external USB: Hard Drive, Optical Drive (DVDRW, CDRW) and Flash Drive
- Scheduled back up to an external USB storage and Network Storage Using FTP
- Watermarking of video files to encrypt the data
- 8 Programmable Alarm Inputs, 1 Relay Alarm output
- Pan/Tilt/Zoom Camera Control: RS-485 interface
- Network Protocol: TCP/IP, DDNS and Web

Software:

- Remote monitoring software supporting multiple sites (up to 16 cameras) with full remote control over the Internet or Local Area Network (LAN)
- Internet Remote Functions*: Live View, Live Recording, Search, Set-up, Back-up
- Firmware Upgrade over network
- Email alerts with a web browser link* (DDNS signup required)
- Microsoft Windows Vista™ Compatible Software (included)
- Free Digimerge DDNS Service



* Requires a high speed internet connection and router - not included

** Not intended for submersion in water

*** IR illumination range up to 50 ft (15M) under ideal conditions. Objects at or beyond this range may be partially or completely obscured, depending on the camera application.

**** Recording capacity may vary based on recording resolution & quality, lighting conditions and movement in the scene

SPECIFICATIONS:

Monitor:

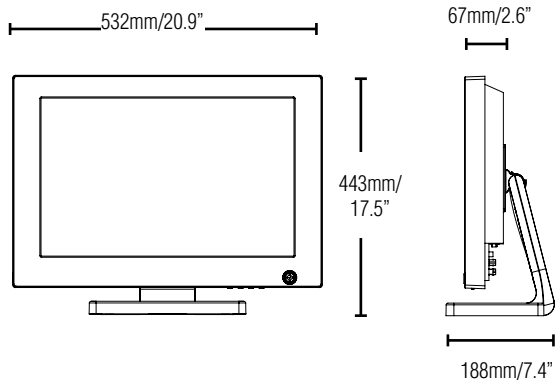
LCD:	22" Wide Screen
LCD Resolution:	1680x1050
Monitor display:	Real time 240FPS (NTSC), 200 FPS (PAL)
Image size:	3-5 Kbyte (352x240, 352x288) (NTSC, PAL) 5-10 Kbyte (704x240, 704x288) (NTSC, PAL) 6-16 Kbyte (704x480, 704x576) (NTSC, PAL)
Video inputs:	16 x BNC
Video outputs:	Programmable Spot Out (BNC)
Audio inputs:	4 x line-in, RCA sockets
Audio output:	1 x line-out, RCA socket
VGA input:	Included
Component input:	YPbPr
Supply Voltage:	100VAC-240VAC, 12VDC, 6.67A, 60/50Hz
Power consumption:	Approx. 65W
Temperature range:	-5° ~ 50° C / 23° ~ 122° F
Weight:	9.04 kg / 19.95 lbs
Dimensions:	21" X 14.4" X 2.7" / 532mm X 365mm X 67mm (without stand) 21" X 17" X 7.4" / 532mm X 433mm X 188mm (with stand)

DVR:

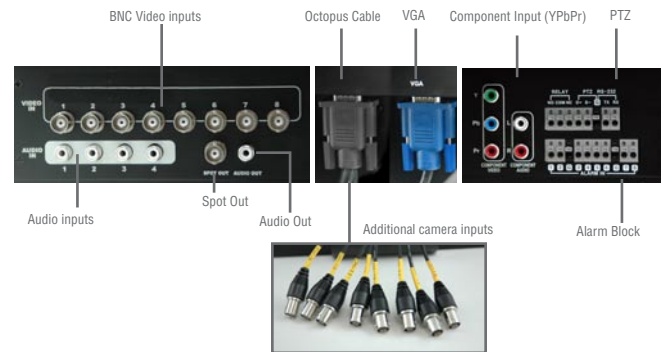
Hard disk capacity:	SATA Interface (Max 750 GB), 100% duty cycle,
Secondary Storage:	USB Default (USB memory stick, USB HDD), USB Optical Drive (CDRW, DVD RW)
Back-up file formats:	AVI, JPG, BMP
Compression:	MPEG4
Recording speed:	240/200 (NTSC/PAL) @ 352x240 / 352x288 120/100 (NTSC/PAL) @ 704x240 / 704x288 60/50 (NTSC/PAL) @ 704x480 / 704x576
Record Scheduling:	Hourly, Daily, Weekly adjustable per channel
Pre/Post alarm recording:	5 seconds (Pre); 3 minutes (Post), programmable per camera
Event/Log search:	Up to 100,000 for user login/out, configuration changes, remote access, connects/disconnects
Playback:	Single, Quad or 8CH Simultaneous
Alarm inputs:	8 x TTL, programmable as NC/NO
Alarm outputs:	1 x Relay with NO/NC contact; 30VDC/1A, 125VAC/0.5A resistive
Activity detection:	16x16 grid, Sensitivity levels: 10
PTZ Control:	RS-485 interface
Remote Functions:	Live View, Live Recording, Search, Set-up, Back-up
Network Speed Control:	8 levels (56Kb ~ 8MB)/sec.
Network Protocol:	TCP/IP, DDNS and Web
Network Interface:	10/100-Base-TX, RJ-45

DIMENSIONS:

Monitor



BACK JACK PANEL:



PRODUCT INFORMATION:

Model#:	D221600501 (UPC: 8-41430-00437-0)
Weight:	25.4lbs / 11.5kg
Package Dimensions:	650mm x 550mm x 271mm / 25.6" x 21.7" x 10.7" (W x H x D)
Includes:	22" LCD DVR, 500GB HDD Pre-Installed, Remote Control, Power Supply, Software application CD, Mouse

DIGIMERGE®

Digimerge Technologies Inc.
300 Alden Road, Markham, ON Canada L3R 4C1
Tel: 905.946.8477 Fax: 905.947.0138

Because our products are subject to continuous improvement, Digimerge reserves the right to modify product design and specifications without notice and without incurring any obligation. E&O.E.