

# DIGIMERGE | Right for Business



## DBD14

# High Resolution Varifocal Dome Camera

The DBD14 High Resolution Varifocal Dome Camera is an ideal economical option for indoor applications such as offices or retail environments. 540 TVL resolution ensures a clear image and the wide range varifocal lens of 2.8-10.5mm enables you to accurately capture the desired viewing area. The 3-Axis bracket design provides versatile wall or ceiling mounting options and installation is made simple with a detachable base.

## Features

- ❖ Sony Super HAD™ / 540TVL
- ❖ 2.8-10.5mm Varifocal Lens
- ❖ 3-Axis Design for Wall / Ceiling Mounting
- ❖ Simple installation with detachable camera base
- ❖ 12V DC Operation

### High Resolution



Typical



DBD14

### Wide Range Varifocal



Narrow Zoom

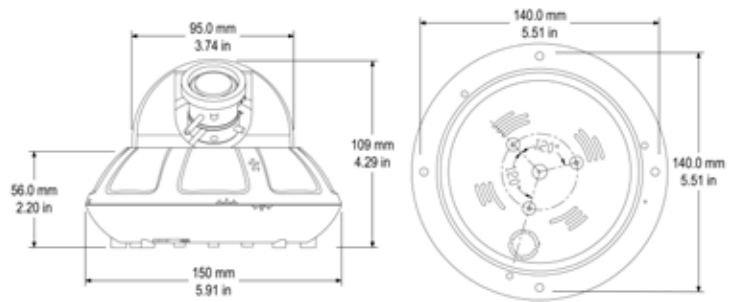


Wide Angle

# Specifications

Image Sensor Type:	1/3" Sony Super HAD™
Video Format:	NTSC
Horizontal Resolution:	540 TV Lines
Scan System:	2:1 interlace
Sync System:	Internal
S/N Ratio:	More than 50dB (AGC off)
Iris:	AES
AES Shutter Speed:	1/60 ~ 1/100,000 Sec.
Mini Illumination:	0.1 Lux F1.2
Video Output:	Composite 1.0 Vpp @ 75 ohm
Lens/Focal Length/Type:	2.8 - 10.5mm Varifocal
Lens/ Lens Mount:	Fixed
Aperture:	F1.4
FOV (Diagonal):	31 - 125 degrees
Termination:	BNC
IR LED/Qty/LED Type (nm)/Night Vision Range:	N/A
Power Requirement:	12V DC
Power Consumption:	100 mA
Operating Temp Range:	14°~122° F / -10° ~ 50° C
Unit Weight:	0.6kg / 1.1lb
Unit Dimensions:	6.0" / 150mm x 4.3" / 109mm (Dia x H)
Environmental Rating:	N/A
Built In Microphone:	No

## Dimensions



## Product Information

Model:	DBD14
UPC:	8-41430-00675-6
Weight:	1.5lbs / 0.7kg
Package Dimensions:	172mm x 172mm x 140mm
(W x D x H)	6.7" x 6.7" x 5.5"
Package Cube:	0.003964 cbm / 0.14 cu ft

## What's Included:

User Manual
Mounting Kit
Mounting Template