

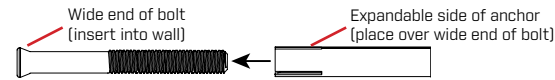
## Package Contents



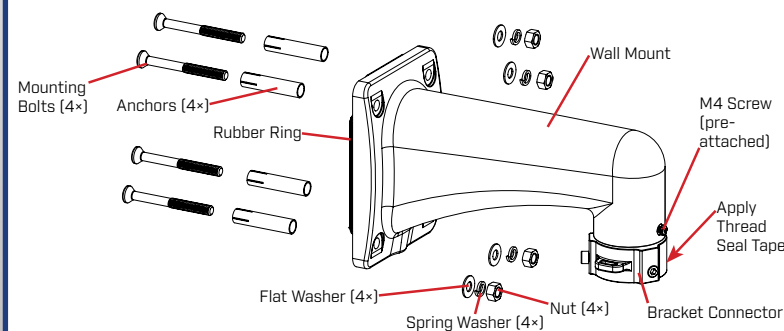
**NOTE:** Your accessories might appear different from the ones depicted in this guide.

## 1 Installing the Camera

- A** Attach the rubber ring to the back of the wall mount to ensure the weatherproof rating of the camera.
- B** Use the wall mount to mark holes for the mounting bolts (4x) and connection cable. Drill holes in the wall.
- C** Place the anchors (4x) on the mounting bolts (4x) with the expandable side on the wide end of the bolt. Insert the wide end of the mounting bolt assembly into the wall and tap the bolts into the wall with a hammer.

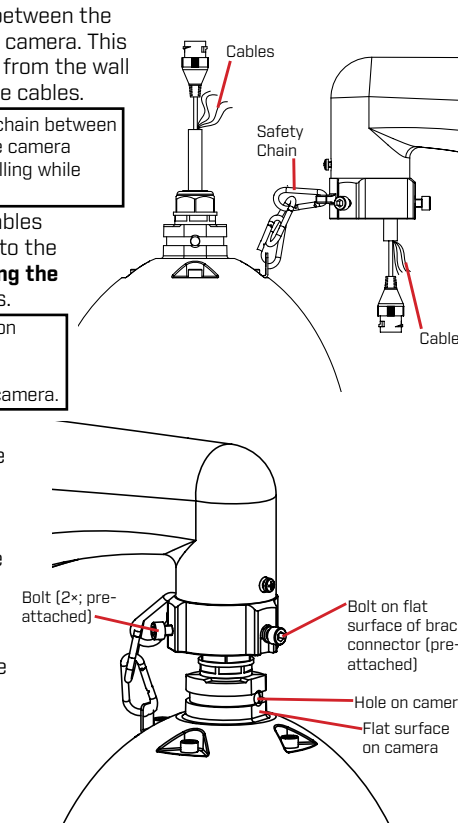


- D** Run the connection cable through the surface and wall mount. Place the wall mount over the mounting bolts and attach the wall mount to the wall by screwing a flat washer (4x), spring washer (4x), and nut (4x) on each bolt.
- E** Run thread seal tape around the bracket connector and then attach the bracket connector to the wall mount. Tighten the M4 screw to secure the bracket connector to the wall mount.

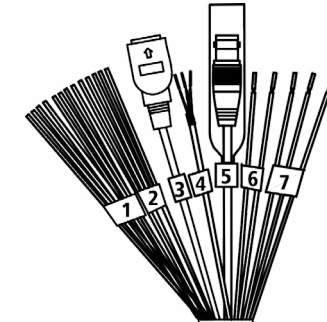


## 2 Installing the Camera (Continued)

- F** Connect the safety chain between the bracket connector and the camera. This allows the camera to hang from the wall mount while connecting the cables.
- G** You must connect the safety chain between the bracket connector and the camera to protect the camera from falling while connecting the cables.
- H** Connect the connection cables and then push the cable into the wall mount. See "Connecting the Camera" section for details.
- I** You must wrap the connection cables with electrical tape (not included) to ensure the weatherproof rating on the camera.
- H** Push the camera into the bracket connector with the flat surfaces aligned on the inside. This will allow the bolt on the bracket connector to align with the hole on the camera.
- I** Tighten the bolt on the flat side of the bracket connector, then tighten the other bolts on the bracket connector (2x).
- J** Make sure all bolts on the camera are tightened to complete the installation.
- NOTE:** To control PTZ functions, you must use the OSD on the web browser client or on a FLIR NVR. For detailed explanation, see the Instructional Manuals under the product's Downloads tab at [www.flir.com/security/pro](http://www.flir.com/security/pro)



## 3 Connecting the Camera



- Alarm Inputs:** Up to seven I/O devices are supported.
- Alarm Outputs:** Up to two I/O devices are supported.
- Ethernet Port:** Connect the camera to an NVR or a router or switch on your network using Cat5e or better Ethernet cable (not included). Use the RJ45 cap (included) for weatherproofing the Ethernet connection. **NOTE:** This camera supports **High PoE** up to 60W. To ensure compatibility, use FLIR's **High PoE Midspan (Model No: ACC60WPMS1)**.
- 24V AC Power Input:** Connect the camera to a 24V AC power source (2.5A or higher).
- Video Out (BNC):** Secondary analog video output to connect the camera to a monitor or DVR. **NOTE:** If you are using the video output, you must heat the sealing tube to seal the cable against water.
- RS485 (Optional):** Connect the camera to RS485 to control the camera PTZ functions using a DVR or PTZ keyboard. **NOTE:** PTZ protocol details are Pelco-D, ID:1, Baud Rate: 9600. You cannot change the PTZ protocol used for RS485.
- Audio:** Connect to an audio input device, audio output device, and ground.

## Need Help?

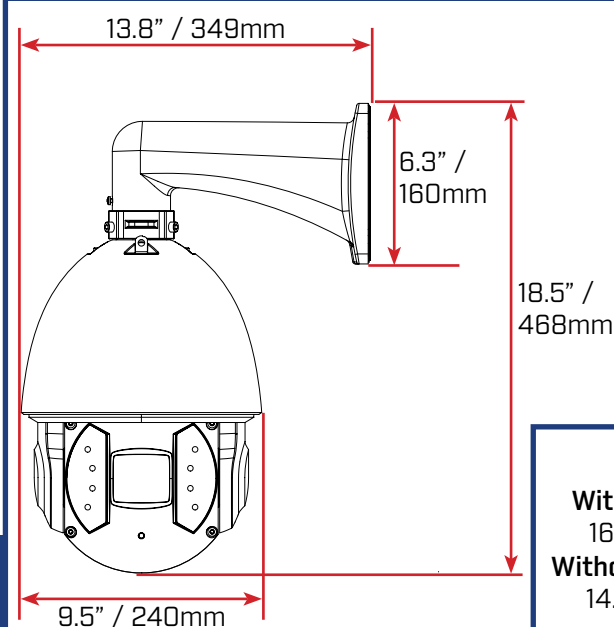
Visit us online for up-to-date software and complete instruction manuals



- Visit [flir.com/security/pro](http://flir.com/security/pro)
- Search for the model number of your product
- Click on your product in the search results
- Click on the **Downloads** tab

Information in this document is subject to change without notice. As our products are subject to continuous improvement, FLIR Systems, Inc. and our subsidiaries reserve the right to modify product design, specifications and prices, without notice and without incurring any obligation. E8DE © 2017 FLIR Systems, Inc. All rights reserved.

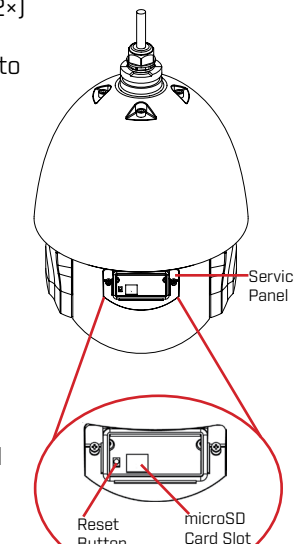
## Weights & Dimensions



**Weight**  
**With wall mount:**  
 16.6lbs / 7.5kg  
**Without wall mount:**  
 14.9lbs / 6.8kg

## Inserting the microSD Card (Optional) and Resetting the Camera

- A** Remove the service panel screws (2x) and then remove the service panel cover. The service panel allows you to perform the following:
- Insert a microSD card into the microSD card slot. **NOTE:** For local recording, you can install a microSD card up to 128GB. SanDisk™ or Kingston™ brand microSD cards are recommended. microSD card Class 10 supported.
  - Press and hold the reset button for 10 seconds to reset the camera to default settings.
- B** Replace the service panel cover and service panel screws (2x).



## Safety Precautions

- Two people are required to install this product.
- Use an appropriate low voltage power cable to prevent fire or electrical shock (24V AC only).
- This camera uses 24V AC power or High PoE up to 60W. Please use appropriate power supply as required.
- Make sure to install the camera in an area that can support the camera weight.
- There are no user serviceable parts inside the camera. Please do not disassemble the camera.
- Do not clean the lens cover with an abrasive cleaning material. Please use a soft cloth to clean the lens cover.
- Camera is rated for outdoor use (IP67), but is not intended for submersion in water.

## FCC Notice

This equipment has been tested and found to comply with the limits for a Class A digital device, pursuant to Part 15 of the FCC Rules. These limits are designed to provide reasonable protection against harmful interference when the equipment is operated in a commercial environment. This equipment generates, uses, and can radiate radio frequency energy and, if not installed and used in accordance with the instruction manual, may cause harmful interference to radio communications. Operation of this equipment in a residential area is likely to cause harmful interference in which case the user will be required to correct the interference at his own expense.