

FLIR IP™

N446ZC302

2.4MP 30X PTZ CNV Camera



N446ZC302
2.4MP 30× PTZ CNV IP Camera

The FLIR 1080p HD 30× PTZ Color Night Vision™ IP Camera delivers best-in-class nighttime imaging and stays in color longer in low light conditions. The powerful 30× optical zoom coupled with DIS [Digital Image Stabilization] enables clear identification of objects at extended distances.

PTZ PERFORMANCE

Maintains image clarity in challenging conditions and at a great distance.

- 2.4MP, 1/1.9" CMOS Sensor and 30x optical zoom
- DIS compensates for challenging installation conditions, such as vibration or high winds, to provide sharper images.
- Pan: 0° ~ 360° endless/ Tilt: -20° ~ 90°, 180° Autoflip, Pan: 200°/sec / Tilt: 120°/sec

COLOR NIGHT VISION™ [CNV]

Exceptional low light performance providing clarity and improved object identification with Color Night Vision™

- CNV in low light and up to 650ft / 198m IR night vision for total visibility around the clock
- Color viewing in low light down to 0.01 Lux; B/W viewing in darkness down to 0.001 Lux
- Ultra WDR (up to 120dB) for improved detail in challenging lighting conditions

BUILT TO PERFORM

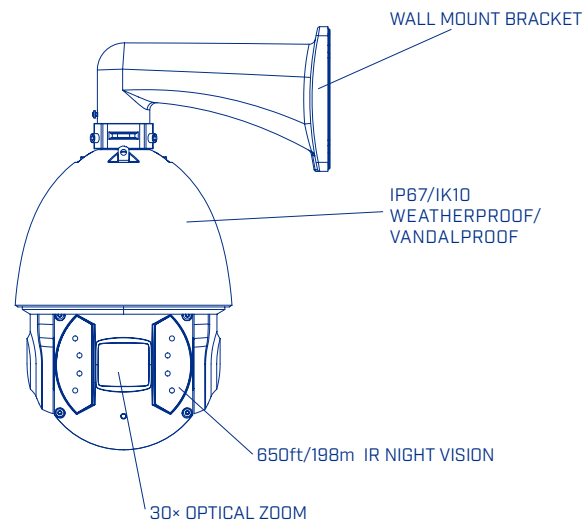
Robust for installation in any outdoor conditions

- IP67 weatherproof & IK10 vandalproof rated housing
- ArcticPro technology for harsh climates (minimum operating temperature -40°F / -40°C)
- High PoE power option



Specifications

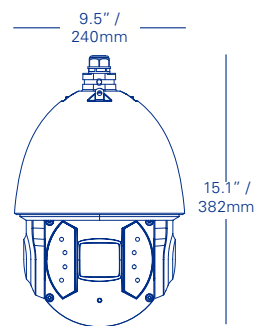
Camera		N446ZC302
Imaging Device	2.4MP 1/1.9" CMOS Sensor	
Effective Pixels	1920 (H) x 1080 (V)	
Image Type	CMOS	
Image Readout	Progressive Scan	
Day / Night	Auto (ICR) / Color / B/W	
Mechanical IR Cut Filter	Yes	
Min. Illumination	0.01Lux Color (@F1.5) 0.001 Lux B/W (@F1.5)	
S/N Ratio	≥56dB (AGC OFF)	
Field of View (H)	61.2° ~ 2.1°	
IR Illumination	650ft/198m / 850nm	
IR On / Off Control	Yes	
Video Output	RJ45 / BNC (2nd video output)	
Electronic Shutter Range	1/1~1/30,000s	
Optical		
Lens Type	Zoom Block	
Iris Type	DC Auto Iris w/Hall-effect	
Iris Control Type	Auto / Manual	
Focal Length	180 ~ 6mm	
Aperture	F1.5 ~ F4.3	
Optical Zoom	30x	
Focus	Auto / Manual	
Pan/Tilt		
Pan / Tilt Range	Pan: 0° ~ 360° endless/ Tilt: -20° ~ 90°	
Auto Flip	Yes, 180°	
Continuous Rotation	Yes	
Manual Speed (Maximum)	Pan: 200°/sec / Tilt: 120°/sec	
Preset Speed (Maximum)	Pan: 240°/sec / Tilt: 200°/sec	
Presets	300	
Patterns	5	
Tours	8	
Other PTZ Functions	Auto Scan, Auto Pan	
Camera OSD	Yes	
Supported Protocols	FLIR 1/3 / Pelco D/P (auto recognition)	
Video		
Video Compression	H.264 / MJPEG	
Video Streams	H.264 / MJPEG Triple Stream	
Resolution Selection (Mainstream)	1080P(1920x1080) / 720P(1280x720)	
Aspect Ratio	16:9	
Frame rates (Maximum)	1080P/ D1 (1 ~ 25/30fps), 720P(1~50/60fps)	
Bit Rate Control	CBR / VBR	
Bit Rate Selection (Mainstream)	H.264: 1,280K ~ 8,192Kbps MJPEG: 3,584K ~ 24,576Kbps	
Quality Setting Range (default)	1-6 (6)	
Region of Interest (selectable areas)	Yes (4)	
Wide Dynamic Range	True WDR	
Dynamic Range	Up to 120dB	
Backlight Compensation	BLC/HLC	
White Balance	Auto/ATW/Indoor/Outdoor/Manual	
Gain Control	Auto / Manual	
Noise Reduction	3D-DNR + 2D-DNR	
Smart IR	Yes	
Image Stabilization	Yes, DIS	
Digital Zoom	Up to 16x	
Tamper Detection	Yes	
Adaptive Lens Correction (ALC)	No	
Video Mirroring/Rotation	Horizontal Mirror	
Video Overlay	Time / Date / Camera / Zoom / Position / Custom	
Window Blanking (Privacy)	Up to 24 Areas	
Menu Languages	English	
Network		
Protocols	IPv4/IPv6, HTTP, HTTPS, SSL, TCP/IP, UDP, UPnP, ICMP, IGMP, SNMP, RTSP, RTP, SMTP, NTP, DHCP, DNS, PPPOE, DDNS, FTP, IP Filter, QoS, Bonjour	
ONVIF Conformance	ONVIF Profile S / G	
RTSP Video	Standard RFC2326, Support QuickTime/VLC Player. User Security Authentication (Enabled/Disabled)	
Users	20 Users	



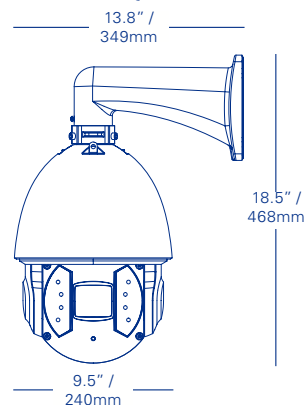
Specifications

Network	
Protocols	IPv4/IPv6, HTTP, HTTPS, SSL, TCP/IP, UDP, UPnP, ICMP, IGMP, SNMP, RTSP, RTP, SMTP, NTP, DHCP, DNS, PPPOE, DDNS, FTP, IP Filter, QoS, Bonjour, 802.1x
ONVIF Conformance	Profile S/G
RTSP Video	Standard RFC2326, Support QuickTime/VLC
Users	20 Users
Mechanical	
Material	Aluminum Alloy
Product Dimensions – Camera Only (Dia x H)	9.45" x 15.1" 240 x 382mm
Product Weight (excluding wall mount)	13.3lbs / 6.0kg
Product Weight (including wall mount)	15.1lbs / 6.9kg
Electrical	
Network Port	RJ45 10/100 Base-T
Analog Video Out (service only)	Yes, BNC Type
Power Input	24V AC ± 25%
Power over Ethernet Type	High PoE (60W Max.)
Power Consumption (maximum)	24W (IR OFF) / 38W (IR ON)
Current Consumption (maximum)	1.0A (IR OFF) / 1.6A (IR ON)
Additional Features	
Edge Storage	Yes, adjustable
Defog	No
Built-in Heater	Yes, 1 Input / 1 Output
Audio I/O	G.711a / G.711u
Audio Encoding	7 Inputs / 2 Outputs
Alarm I/O	Yes, adjustable
RS485	Yes
Environmental	
Storage Temperature	-22° ~ 140°F / -30° ~ 60°C
Storage Humidity	< 90% RH
Operating Temperature	-40° ~ 158°F / -40° ~ 70°C
Operating Humidity	< 90% RH
Cold Start Temperature	-31°F / -35°C
Ingress Protection	IP67 Rated
Vandal Resistance	IK10 Rated
Certifications	
Certifications	FCC, CE

Dimensions (Camera only)



Dimensions (Camera with bracket)



Available Accessories:

N446ZC302
High PoE Midspan ACC60WPMS1

For latest accessory / mount compatibility visit
<http://flir.com/security/cameramounts>

Ordering Information

N446ZC302: 8-41430-01823-0

Package Dimensions (WxDxH)/Weight

12.3 x 12.3 x 20.1" / 313 x 313 x 511mm
22.5lbs / 10.3kg

MARKHAM, ONTARIO

FLIR Systems, Inc.
250 Royal Crest Court
Markham, ON L3R 3S1
Canada
PH: +1 866.344.4674

PORTLAND

Corporate Headquarters
FLIR Systems, Inc.
27700 SW Parkway Ave.
Wilsonville, OR 97070
USA
PH: +1 866.477.3687

www.flir.com/security
NASDAQ: FLIR

Equipment described herein may require US Government authorization for export purposes. Diversion contrary to US law is prohibited. Imagery for illustration purposes only. Specifications are subject to change without notice. ©2017 FLIR Systems, Inc. All rights reserved. [Ceated on 08/01/17] (17-2331-SEC).