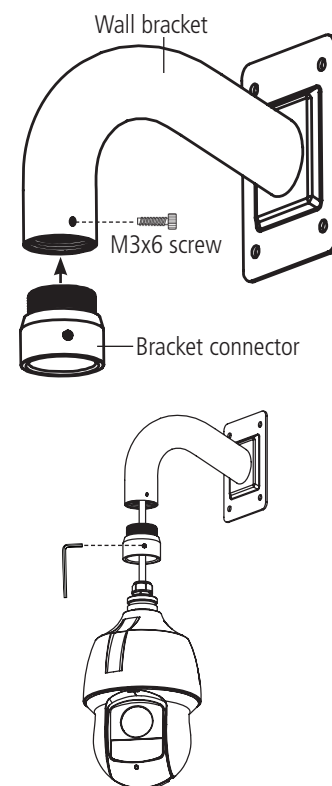


## PACKAGE CONTENTS:



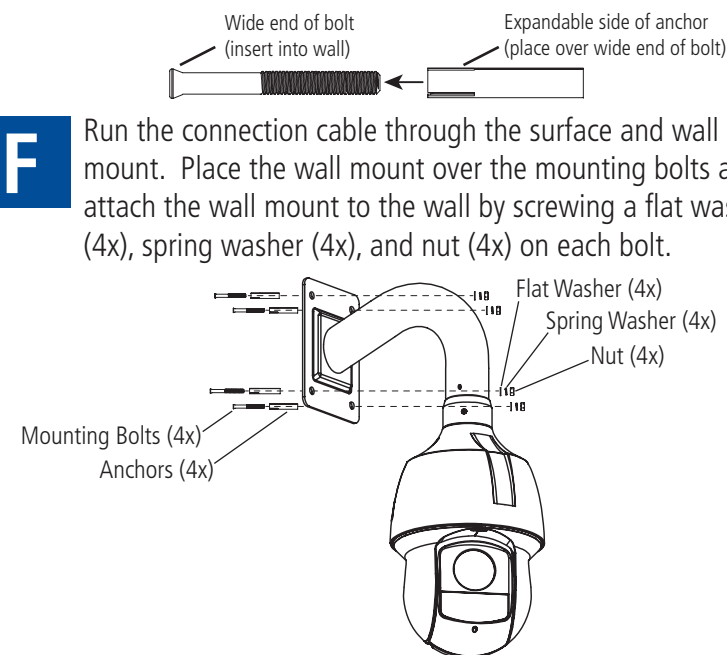
## 1 Installing the Camera

- A** Use the wall mount to mark holes for the mounting bolts (4x) and connection cable. Drill holes in the wall.
- B** Loosen the M3x6 screw (1x) on the wall bracket. Attach the bracket connector to the wall bracket so that it is flush with the wall bracket. Tighten the M3x6 screw to secure the bracket connector.
- C** Use the included Allen key to loosen the Allen bolts (x3) on the bracket connector.
- D** Run the cables from the camera through the bracket connector and the wall bracket. Insert the camera until it is flush with the bracket connector. Tighten the Allen bolts (3x) to secure the camera.

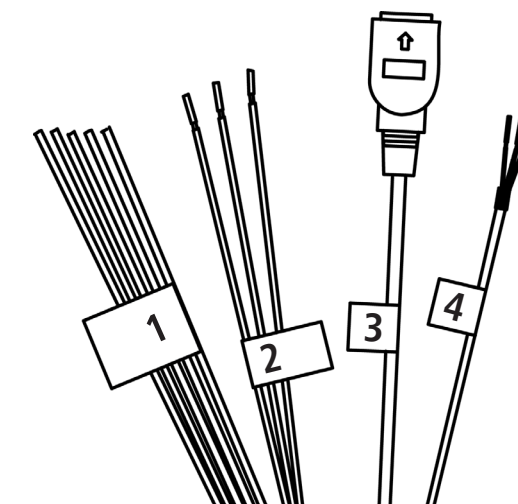


## 2 Installing the Camera (Continued)

- E** Place the anchors (4x) on the mounting bolts (4x) with the expandable side on the wide end of the bolt. Insert the wide end of the mounting bolt assembly into the wall and tap the bolts into the wall with a hammer.
- F** Run the connection cable through the surface and wall mount. Place the wall mount over the mounting bolts and attach the wall mount to the wall by screwing a flat washer (4x), spring washer (4x), and nut (4x) on each bolt.
- G** Remove the vinyl film from the lens and IR board. Remove tape from the camera module once installation is complete.



## 3 Connecting the Camera



- 1. Alarm I/O:** Connect the camera to up to 2 alarm input devices and 1 alarm output device. See the Instruction Manual located at [www.flir.com/security/support](http://www.flir.com/security/support) for more details.
- 2. Audio I/O:** Connect to a self-powered microphone for listen-in audio, or to an audio output device (e.g., speakers).
- 3. Ethernet Port:** Connect the camera to an NVR or a router or switch on your network using Cat5e or better Ethernet cable (not included). PoE Class 4 supported (802.3at).
- 4. Power Input:** If not using PoE, connect the camera to a 24V AC power source (1.5A or higher required).

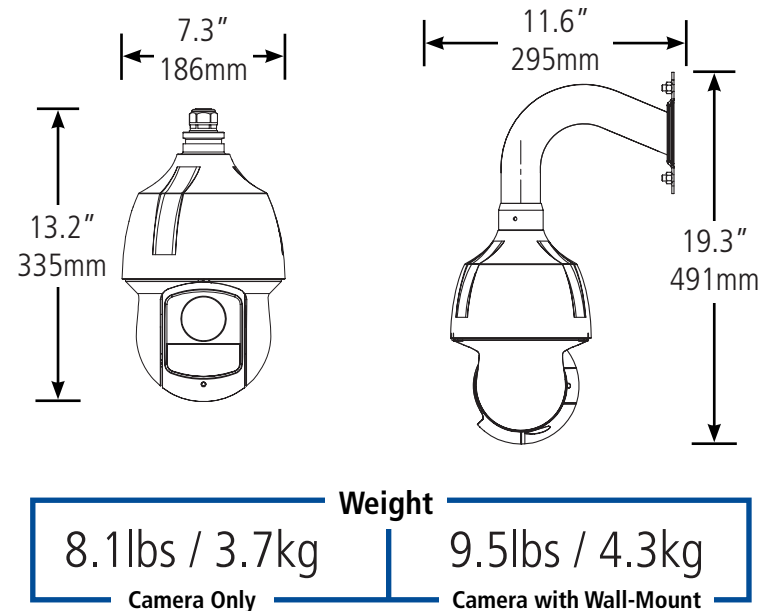
Latest software and manuals available on [www.flir.com/security/support](http://www.flir.com/security/support)



For support, visit [www.flir.com/security/support](http://www.flir.com/security/support)

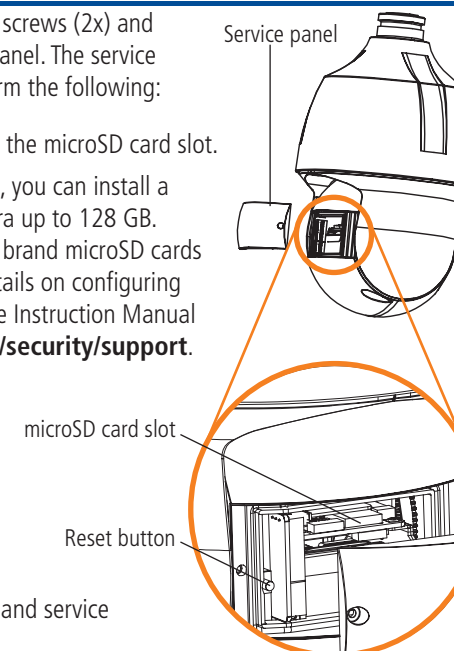
Information in this document is subject to change without notice. As our products are subject to continuous improvement, FLIR Systems, Inc. and our subsidiaries reserve the right to modify product design, specifications and prices, without notice and without incurring any obligation. E&OE © 2015 FLIR Systems, Inc. All rights reserved.

## Weights & Dimensions



## Inserting the microSD Card (Optional) & Resetting the Camera

- A** Remove the service panel screws (2x) and then remove the service panel. The service panel allows you to perform the following:
- Insert a microSD card into the microSD card slot.
- NOTE:** For local recording, you can install a microSD card in the camera up to 128 GB. SanDisk™ or Kingston™ brand microSD cards are recommended. For details on configuring microSD recording, see the Instruction Manual located at [www.flir.com/security/support](http://www.flir.com/security/support).
- Press the reset button for 10 seconds to reset the camera to default settings.



- B** Replace the service panel and service panel screws (2x).

## Safety Precautions

- Use an appropriate low voltage power cable to prevent fire or electrical shock.
- Make sure to install the camera in an area that can support the camera weight.
- There are no user serviceable parts inside the camera. Please do not disassemble the camera.
- Do not clean the lens cover with an abrasive cleaning material. Please use a soft cloth to clean the lens cover.
- Camera is rated for outdoor use (IP66), but is not intended for submersion in water.

## FCC Notice

This equipment has been tested and found to comply with the limits for a Class A digital device, pursuant to Part 15 of the FCC Rules. These limits are designed to provide reasonable protection against harmful interference when the equipment is operated in a commercial environment. This equipment generates, uses, and can radiate radio frequency energy and, if not installed and used in accordance with the instruction manual, may cause harmful interference to radio communications. Operation of this equipment in a residential area is likely to cause harmful interference in which case the user will be required to correct the interference at his own expense.