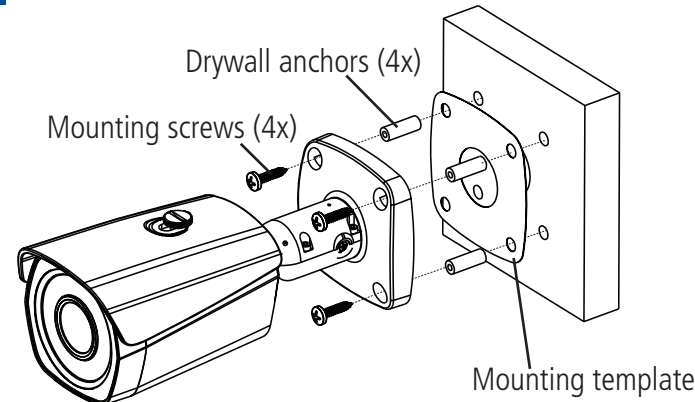


### PACKAGE CONTENTS:



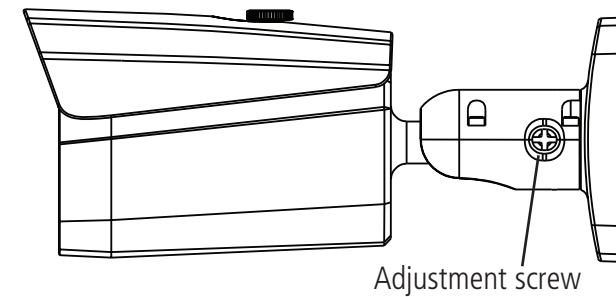
### 1 Installing the Camera

- A** Use the included mounting template to mark holes for the mounting screws.
- B** Drill holes for the mounting screws.  
**NOTE:** Use the included drywall anchors if installing on a drywall surface.
- C** Connect cables as shown in the section "Connecting the Camera".
- D** Mount the camera to the surface using the included mounting screws (4x).



### 2 Adjusting the Camera

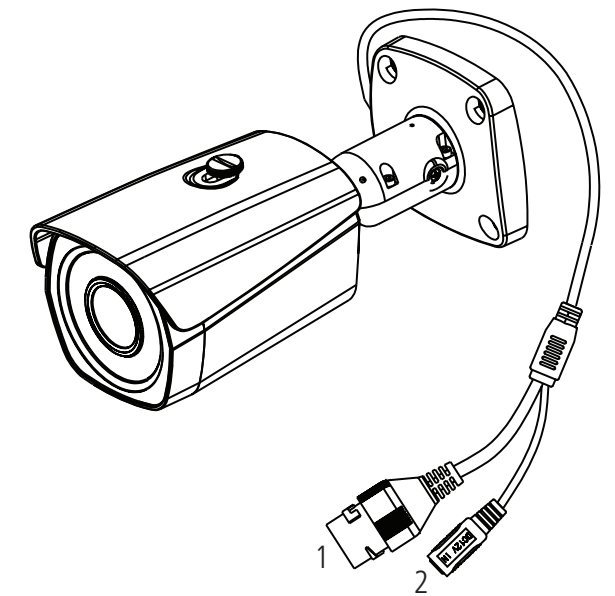
- A** Use the included Phillips Allen key to loosen the adjustment screw on the camera mounting bracket.



- B** Move the camera to the desired position. Tighten the adjustment screw when finished.

- C** Remove the vinyl film from the camera lens once installation is complete.

### 3 Connecting the Camera



- 1. Ethernet Port:** Connect the camera to an NVR or a router or switch on your network using Cat5e or better Ethernet cable (not included). PoE Class 3 supported.
- 2. Power Input:** If not using PoE, connect the camera to a 12V DC power source (300mA or higher required).

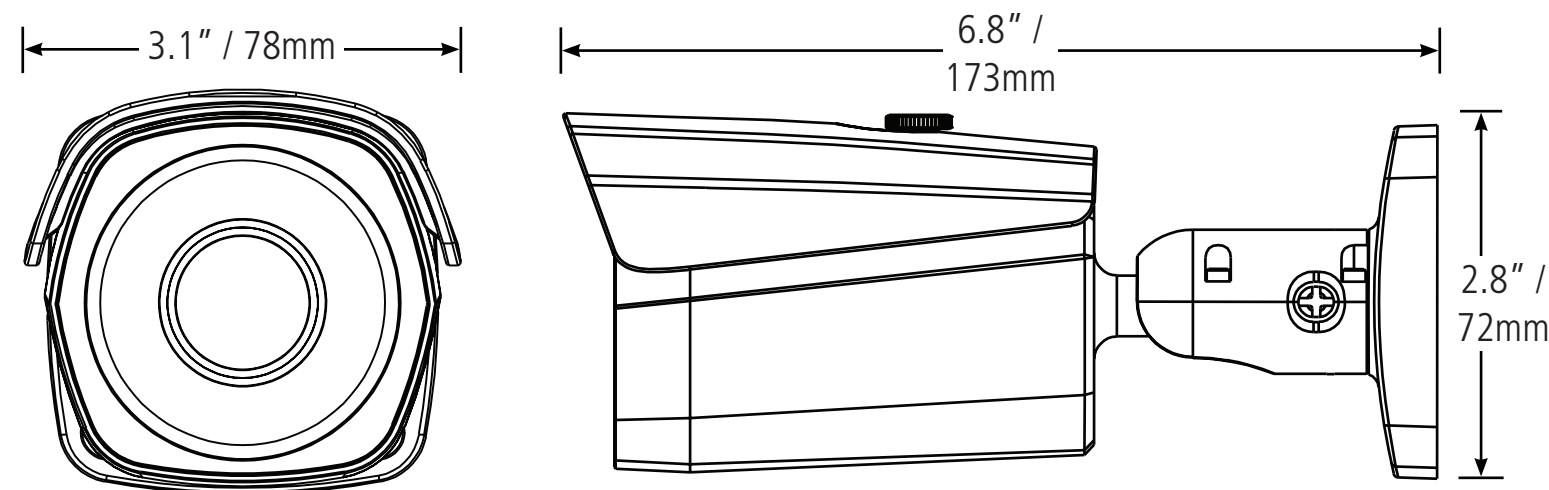
Latest software and manuals available on [www.flirsecurity.com/pro](http://www.flirsecurity.com/pro)



For support, visit [www.flirsecurity.com/pro](http://www.flirsecurity.com/pro)

Information in this document is subject to change without notice. As our products are subject to continuous improvement, FLIR Systems, Inc. and our subsidiaries reserve the right to modify product design, specifications and prices, without notice and without incurring any obligation. E&OE © 2014 FLIR Systems, Inc. All rights reserved.

### Weights & Dimensions



Weight  
1.4lbs / 0.6kg

### Safety Precautions

- Use an appropriate low voltage power cable to prevent fire or electrical shock.
- Make sure to install the camera in an area that can support the camera weight.
- There are no user serviceable parts inside the camera. Please do not disassemble the camera.
- Do not clean the lens cover with an abrasive cleaning material. Please use a lint free micro-fiber cloth to clean the lens cover.
- Camera is rated for outdoor use (IP66), but is not intended for submersion in water.

### FCC Notice

This equipment has been tested and found to comply with the limits for a Class A digital device, pursuant to Part 15 of the FCC Rules. These limits are designed to provide reasonable protection against harmful interference when the equipment is operated in a commercial environment. This equipment generates, uses, and can radiate radio frequency energy and, if not installed and used in accordance with the instruction manual, may cause harmful interference to radio communications. Operation of this equipment in a residential area is likely to cause harmful interference in which case the user will be required to correct the interference at his own expense.