

FLIR MPX™

M3104E1B4 Full HD Security System



M3104E1B4
4 cameras, 4 channels, 1TB HDD

The FLIR MPX 4-Channel Security System uses the latest HD-CVI technology, giving you the flexibility to upgrade to full HD resolution using existing coax cabling. Ideal for retrofit, MPX makes upgrading to HD easier than ever – connect the included eyeball dome cameras to existing coax for a hassle-free upgrade. Our free FLIR Cloud™ apps provide easy remote access anywhere you go via iOS, Android, PC or Mac. Supports FLIR MPX cameras, as well as standard analog cameras for maximum flexibility.

HD PICTURE QUALITY

Experience outstanding 1080p resolution over coax

- 2.1MP HD 1/2.7" IR dome cameras included, 3.6mm lens
- 1080p (1928 x 1088) resolution @ real-time (25/30fps per channel)
- IR night vision range up to 80ft (24m)

EASY INSTALLATION

Upgrade to HD without the expense of re-cabling

- Standard BNC connection – no networking complexities
- Upgrade analog systems to HD without the expense of re-cabling
- All-in-one DVR & security camera bundles include the full system plus HDD

SUPERIOR PERFORMANCE

Virtually no latency, even with extended cable runs

- Smooth real-time viewing with zero video latency
- Extended cable runs of up to 1000ft (305m)
- Two-way communication over coax allows for easy connection and control of PTZ cameras (PTZ cameras sold separately)

QUICK & SECURE REMOTE VIEWING

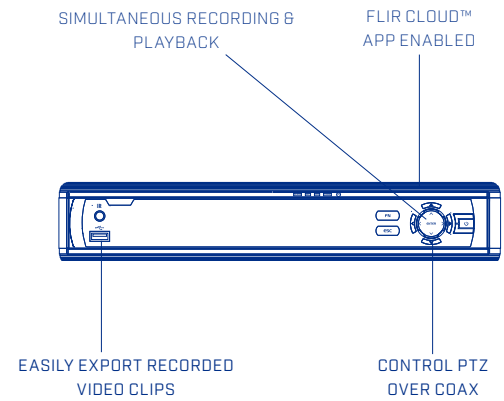
Remote access via iOS, Android, PC & Mac with FLIR Cloud™

- Set up remote viewing in 3 easy steps: install FLIR Cloud™ app, scan QR code on DVR and start viewing live video
- Multisite viewing with FLIR Cloud™ CMS for PC & Mac



Specifications

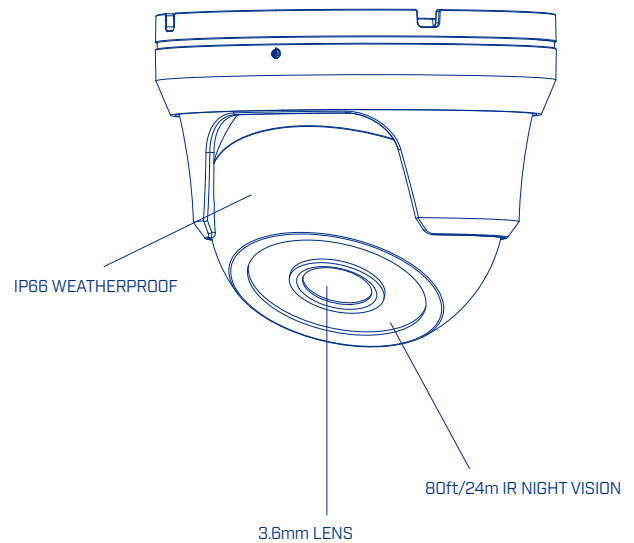
| DVR Specifications | | M3104E1B4 |
|--------------------------------------|---|------------------|
| System | | |
| Operating System | Linux (embedded) | |
| Pentaplex | Simultaneous view, record, playback, backup & remote monitoring | |
| Number of Channels | 4 | |
| Inputs/Outputs | | |
| Video IN | 4 x 1Vp-p, BNC | |
| Video OUT | Yes, 1 VGA & 1 HDMI | |
| VGA OUT | Yes | |
| HDMI | Yes | |
| Audio IN | 1 channel (RCA), supports 2-way talk | |
| Audio OUT | 1 channel (RCA), supports 2-way talk | |
| USB Port | 1 at the back, 1 at the front | |
| Alarm IN | None | |
| Alarm OUT | None | |
| Video Output Resolution | 1920x1080 (HDMI), 1280x1024, 1024x768 | |
| PTZ Control | RS-485 Pelco D & P Protocol | |
| Display | | |
| Live Display | 1, 4 | |
| Live Display Speed | 120 NTSC, 100 PAL | |
| OSD | ON/OFF | |
| System Navigation | USB mouse, IR remote controller, front panel | |
| Motion Area Setting | Fixed grid 396 (22x18) NTSC&PAL | |
| Sensitivity | 100 | |
| Firmware Upgrade | Via USB device / Network | |
| User Authority | By user group | |
| Time Synchronization | Auto time sync by NTP server | |
| Recording | | |
| Video Compression | H.264 | |
| Audio Compression | G.711 | |
| Recording Resolution* | NTSC: 1080p (1920x1080), 720p (1280x720), 960x480, 704x480, 352x480, 704x240, 352x240, 176x120 PAL: 1080p (1920x1080), 720p (1280x720), 960x576, 704x576, 352x288, 176x144 | |
| Recording Resolution Setting | Per camera for different resolutions | |
| Recording Quality Control | 5 levels | |
| Recording Schedule | By hour, by day, by recording mode, by motion, by alarm, by channel | |
| Pre Recording | Max. 30 Seconds | |
| Post Recording | Max. 5 min / Min. 10 Sec | |
| Reliability | Watch-Dog, auto-recovery after power failure | |
| Covert Video | Yes | |
| Playback | | |
| Playback | 1 / 4 | |
| Playback Speed | Variable max 4x | |
| Playback Players | Backup Player | |
| Search | By Time/Date, MD & Exact search (accurate to second) | |
| Log Search | Up to 1,000 lines for motion detected, configuration changes, connects/disconnects and video loss | |
| Audio Play | Yes | |
| Storage & Archive | | |
| Storage | 1 HDD (SATA) | |
| Maximum Capacity | Up to 4TB | |
| Backup Media | USB flash drive & HDD & Network | |
| Backup File Format | DAV or ASF file | |
| Connectivity | | |
| Cloud Connection | FLIR Cloud™ | |
| Supported Operating Systems | Windows™, Mac OSX | |
| Remote Software | Client Software (PC) & Safari (Mac) | |
| Email Notification | Text with snapshot | |
| Instant Smart Phone & Tablet Support | FLIR Cloud™ iPad®, iPhone®, Android™ apps | |
| DDNS Free | Free FLIR DDNS | |
| System Configuration | Full setup configuration over network | |
| Ports | Programmable by User | |
| Network Protocol | HTTP, IPv4/IPv6, TCP/IP, UPNP, RTSP, UDP, SMTP, NTP, DHCP, DNS, PPPoE, DDNS, FTP, IP Filter | |
| Network Interface | 10/100-Base-TX, RJ-45 | |
| Network Speed Control | 96Kb ~ 4096Kb/sec. per camera | |
| DVR General Information | | |
| Power Consumption | Approx. 10 watts (No HDD Installed) | |
| Supply Voltage | 100VAC-240VAC, 12VDC, 2A, 50/60Hz | |
| Unit Dimensions (W x D x H) | 12.8 x 10 x 2.2" / 325 x 255 x 55mm | |
| Unit Weight | 3.3 lb / 1.5 kg (without HDD) | |
| Operating Temperature | 14° ~ 131° F / -10° ~ 55° C | |
| Humidity | 10 ~ 90% RH | |



* 1080p MPX cameras are required to take advantage of 1080p recording. You may need to upgrade the DVR firmware to enable 1080p recording.

Specifications

| Camera | | ME343S |
|---------------------------------|--|---|
| Imaging Device | | 2.1 MP HD 1/2.7" |
| Effective Pixels | | 1928 (H) x 1088 (V) |
| Imager Type | | CMOS |
| Image Readout | | Progressive Scan |
| Day / Night | | Auto (ICR) / Color / B/W |
| Mechanical IR Cut Filter | | Yes |
| Min. Illumination | | 0.1 lux @ F1.2 (Color) 0.01 lux @ F1.2 (B/W) |
| S/N Ratio | | ≤39dB |
| Horizontal Field of View | | 80° (H) field of view |
| IR Illumination Distance | | 80ft (24m) IR Night Vision |
| IR Wavelength | | 840~850nm |
| IR On / Off Control | | N |
| Video Output | | BNC (1080p Multi-format / 960H Analog CVBS) |
| Electronic Shutter Range | | 1/30~1/100,000 |
| Optical | | |
| Lens Type | | Fixed |
| Mount Type | | Board Type |
| Iris Type | | Fixed Iris |
| Iris Control Type | | AIS |
| Focal Length | | 3.6mm |
| Aperture | | F2.0 |
| Optical Zoom | | N/A |
| Focus | | Fixed |
| Video | | |
| Frame rates (Maximum) | | 1080p @ 25/30fps |
| Wide Dynamic Range | | DWDR |
| Dynamic Range | | N/A |
| Backlight Compensation | | BLC / HLC |
| White Balance | | ATW / Manual |
| Gain Control | | Adjustable |
| Noise Reduction | | 2D DNR |
| Smart IR | | Yes |
| Digital Zoom | | No |
| Video Mirroring/Rotation | | No |
| Video Overlay | | No |
| Window Blanking (Privacy) | | No |
| Defog | | No |
| Menu Languages | | English, Spanish, Italian, French, Russian, Greek, Simplified Chinese, Korean, Portuguese |
| Mechanical | | |
| Material | | Aluminum Alloy |
| Product Dimensions (Dia x H) | | 3.7 x 2.5" 93 x 64mm |
| Product Weight | | 0.9lbs / 0.4kg |
| Electrical | | |
| Analog Video Out (service only) | | No |
| Power Input | | 12V DC |
| Power Consumption (maximum) | | 3.3W |
| Current Consumption (maximum) | | 270mA |
| Additional Features | | |
| Built-in Heater | | N/A |
| Audio I/O | | N/A |
| Alarm I/O | | N/A |
| Environmental | | |
| Storage Temperature | | -40°F ~ +140°F / -40°C ~ +60°C |
| Storage Humidity | | Less than 95% RH |
| Operating Temperature | | -22°F ~ +140°F / -30°C ~ +60°C |
| Operating Humidity | | Less than 85% RH |
| Cold Start Temperature | | -22°F / -30°C |
| Ingress Protection | | IP66 Rated |
| Vandal Resistance | | No |
| Certifications | | |
| Certifications | | CE / FCC / RoHS |



Ordering Information

M3104E1B4: 8-41430-01896-4

Package Dimensions

14.1 x 9.1 x 12" / 378 x 241 x 310mm

MARKHAM, ONTARIO

FLIR Systems, Inc.
250 Royal Crest Court
Markham, ON L3R 3S1
Canada
PH: +1 866.344.4674

PORTLAND

Corporate Headquarters
FLIR Systems, Inc.
27700 SW Parkway Ave.
Wilsonville, OR 97070
USA
PH: +1 866.477.3687

www.flir.com/security
NASDAQ: FLIR

Equipment described herein may require US Government authorization for export purposes. Diversion contrary to US law is prohibited. Imagery for illustration purposes only. Specifications are subject to change without notice. ©2016 FLIR Systems, Inc. All rights reserved. (Created 10/12/17) (17-2941-SEC).w