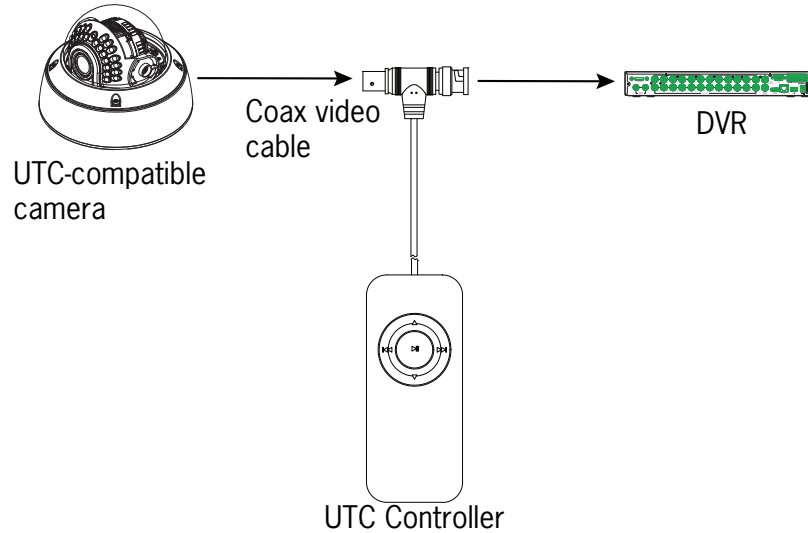


## Guide to Camera UTC Controls

UTC or Up-the-Coax controls give installers a convenient way to change settings on compatible cameras. A UTC controller is connected to the coaxial video cable between a UTC-compatible camera and the DVR, and it gives access to the camera's OSD (on-screen-display) menus.



FLIR offers a UTC Controller (Model #: ACCUTC1). UTC-compatible cameras can also be controlled with any UTC Controller that supports Pelco-C protocol.



### This enables the following advantages:

- The UTC controller can be installed at the end of a cable run, near the DVR. This means that the installer can adjust the camera settings without needing to be on a ladder.
- The installer does not need to open the camera housing to access the camera's menu system.
- Settings can be adjusted while viewing the exact monitor that will be used to display the camera, ensuring that camera is optimized for the specific color characteristics of that monitor.