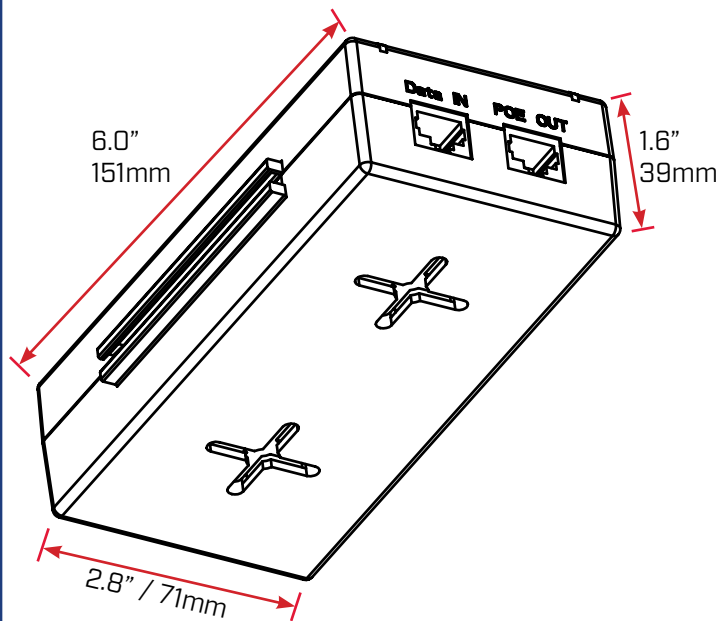


### Package Contents

- High PoE Midspan
- Power Cable
- Mounting Screws (\*3)
- Quick Start Guides

### Dimensions



### FCC Notice

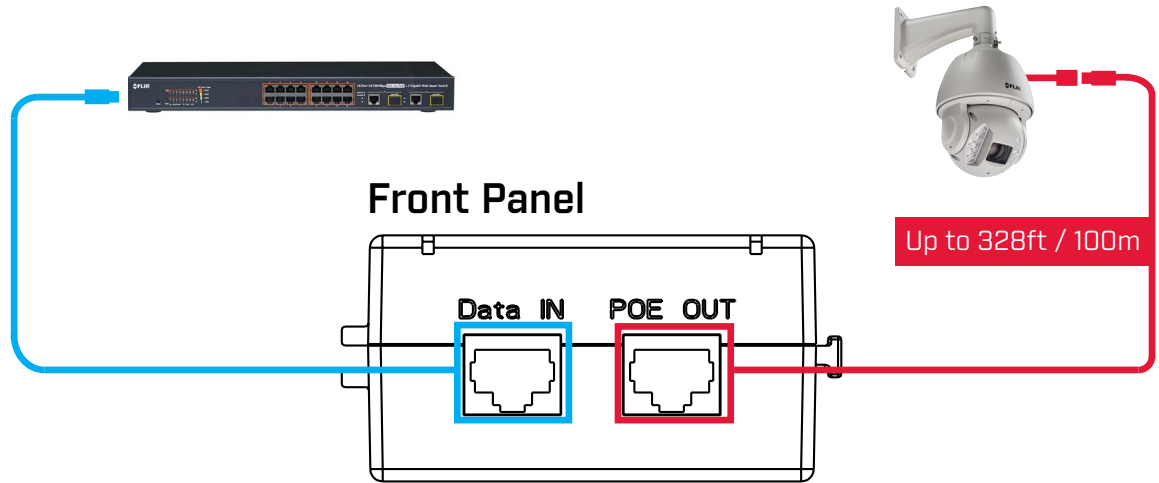
This equipment has been tested and found to comply with the limits for a Class B digital device, pursuant to Part 15 of the FCC Rules. These limits are designed to provide reasonable protection against harmful interference when the equipment is operated in a commercial environment. This equipment generates, uses, and can radiate radio frequency energy and, if not installed and used in accordance with the Instruction manual, may cause harmful interference to radio communications. Operation of this equipment in a residential area is likely to cause harmful interference in which case the user will be required to correct the interference at his own expense.

Information in this document is subject to change without notice. As our products are subject to continuous improvement, FLIR Systems, Inc. and our subsidiaries reserve the right to modify product design, specifications and prices, without notice and without incurring any obligation. E80E © 2017 FLIR Systems, Inc. All rights reserved.

### Connection

**1** Switch / NVR\*

**2** Compatible Network Camera\*



**3** Connect the midspan to a power source using the included power cable.

\*Not included / sold separately.

### Technical Specifications

Name	Specification
Ports	1x 10/100/1000Base-T (Data IN) 1x 10/100/1000Base-T PoE power supply (POE OUT)
PoE Standard	IEEE 802.3af / 802.3at PoE / High PoE (max 60W)
PoE Power Output	54V DC, Max. 60 watts
PoE Class	Class 0/1/2/3/4/5
Operating Humidity	10 - 90% (non-condensing)
Operating Temperature	-22 ~ 149°F / -30 ~ 65°C
Power Input	100~240V AC, 50/60Hz, 1.7A Max
Weight	0.30kg / 0.65lbs

### LED Indicators



#### Power Status

Name	Color	Meaning
PWR	Green	<b>ON:</b> The Midspan is receiving power. <b>OFF:</b> The Midspan is not powered.

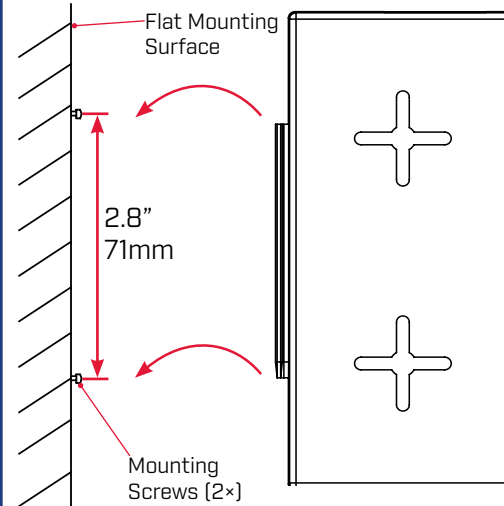
#### PoE Output

Name	Color	Meaning
POE	Green	<b>ON:</b> Port is providing in-line power. <b>OFF:</b> Connected device is not a PoE Powered Device (PD).

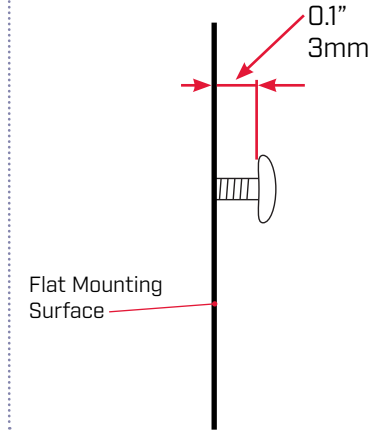
### Installation

This Midspan is intended for **INDOOR** installation only.

#### Mounting the Midspan



#### Screw Distance from Mounting Surface



### Safety Precautions

- Use the Midspan with compatible FLIR cameras only. To ensure compatibility, see High PoE midspan datasheet.
- Read this guide carefully and keep it for future reference.
- Follow all instructions for safe use of the product and handle with care.
- There are no user serviceable parts inside the Midspan. Please do not disassemble the Midspan.
- Do not expose the Midspan to sunlight. Use the Midspan within given temperature, humidity and voltage levels noted in the **Technical Specifications** section.
- Make sure to install the Midspan on a flat surface in an area that can support the Midspan weight.
- Slots and openings in the Midspan are provided for ventilation to ensure reliable operation of the Midspan and to protect it from overheating. These openings must not be blocked or covered.
- Do not place any object on the Midspan.
- **Midspan is rated for indoor installation only.**